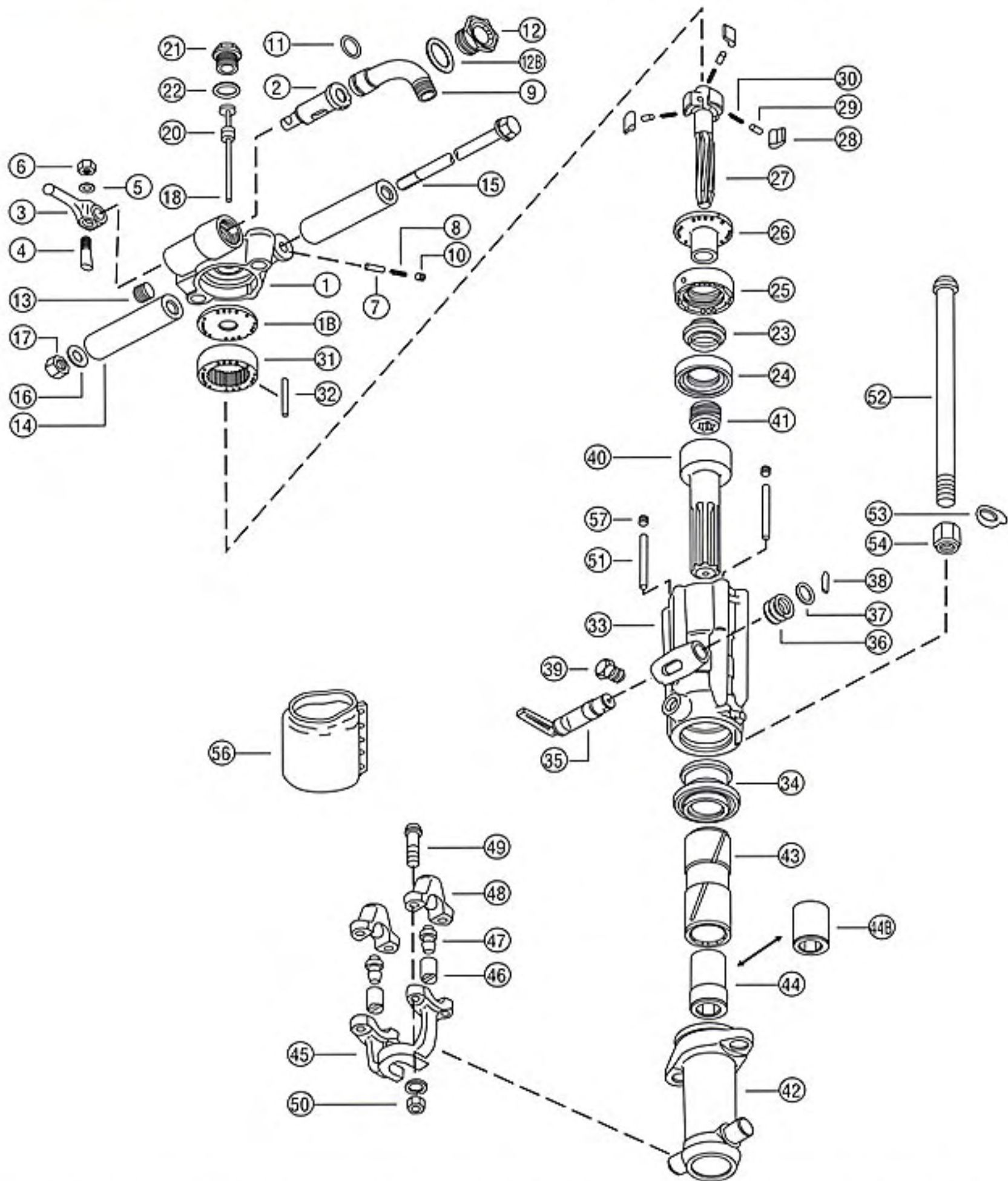


KENT AIR TOOLS

ROCK DRILL MODEL RD75

SYM. NO.	PART NO.	NO.	DESCRIPTION	AMT. REQ.
1	K14350	7701	Back Head w/Bushing	1
1B	K14351	7701-B	Back Head Bushing	1
2	K14352	7702	Throttle Valve	1
3	K14353	7703	Throttle Valve Handle	1
4	K14354	7704	Throttle Valve Handle Bolt	1
5	K14355	7705	Throttle Valve Handle Washer	1
6	K14356	7706	Throttle Valve Handle Bolt Nut	1
7	K14357	7707	Throttle Valve Cap	1
8	K14358	7708	Detent Spring	1
9	K14359	7709	Air Inlet Swivel	1
10	K14360	7710	Detent Spring Plug	2
11	K14361	7711	Swivel O-Ring	1
12	K01295	7712	Swivel Nut	1
13	K14363	7713	Back Head Plug	1
14	K01439	7714	Handle Grip Complete	2
15	K06358	7715	Handle Bolt	1
16	K07230	7716	Handle Bolt Washer	2
17	K06346	7717	Handle Bolt Nut	1
18	K14364	7718	Blow Tube	1
20	K14366	7720	Blow Tube Rubber Seal	1
21	K14367	7721	Blow Tube Gland	1
23	K14368	7723	Automatic Valve	1
24	K14369	7724	Front Valve Chest	1
25	K14370	7725		1
26	K14371	7726	Rear Valve Chest	1
27	K14373	7727	Rifle Bar	1
28	K14374	7728	Pawl (Non-Reversible)	3
29	K14375	7729	Pawl Plunger	3
30	K14376	7730	Pawl Spring	3
31	K14377	7731	Ratchet Ring	1
32	K14378	7732	Valve Dowel	1
33	K14379	7733	Cylinder	1
34	K14380	7734	Front Washer Bushing	1
35	K14381	7735	Exhaust Valve	1
36	K14382	7736	Exhaust Valve Spring	1
37	K14383	7737	Exhaust Valve Washer	1
38	K14384	7738	Exhaust Valve Pin	1
39	K00198	7739	Oil Filler Plug	1
40	K14385	7740	Piston	1
41	K14386	7741	Rifle Nut	1
NS	K14387	7741-S	Steel Rifle Nut	(1)
42	K14388	7742	Front Head 1" x 4-1/4"	1
43	K14389	7743	Chuck Drive 1" x 4-1/4"	1
44	K14390	7744	Chuck Bushing 1" x 4-1/4"	1
44B	K14391	7744-S	Chuck Bushing 7/8" x 3-1/4"	(1)
45	K14392	7745	Steel Retainer 1" x 4-1/4"	1
46	K14393	7746	Steel Retainer Plunger	2
47	K01288H	7747	Retainer Spring	2
48	K14394	7748	Steel Retainer Cap	2
49	K14395	7749	Steel Retainer Bolt	4
50	K14396	7750	Steel Retainer Bolt Nut	4
51	K14397	7751	Oil Felt	2
52	K14398	7752	Side Rod	2
53	K14399	7753	Side Rod Lock Washer	2
54	K14400	7754	Side Rod Bolt Nut	2

SYM. NO.	PART NO.	NO.	DESCRIPTION	AMT. REQ.
44B	K14401	7755	Chuck Bushing 7/8" x 4-1/4"	(1)
45	K14429	7745	Steel Retainer 7/8" x 3-1/4"	(1)
56	K14402	7756	Muffler	(1)



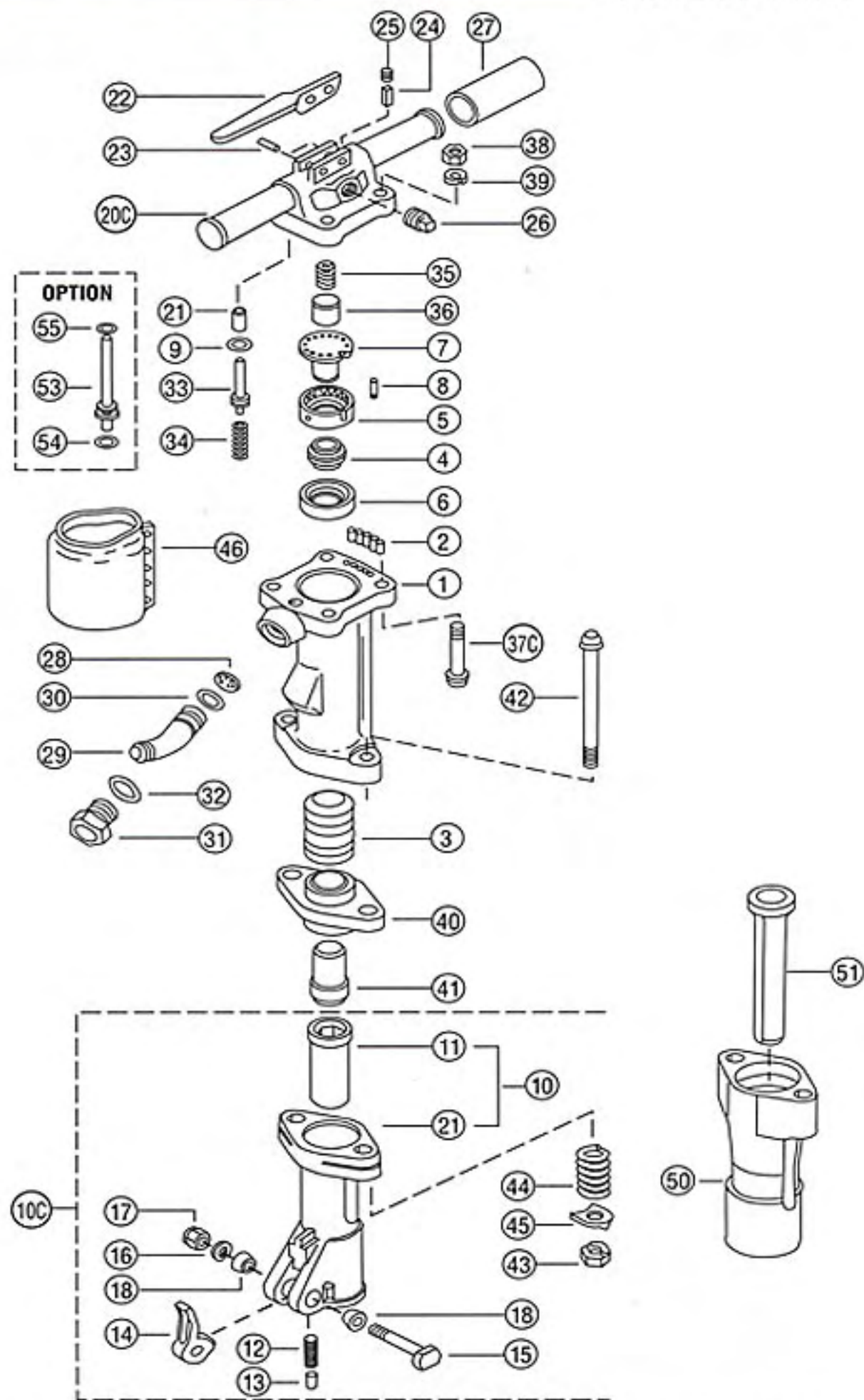
KENT AIR TOOLS

PAVING BREAKER MODEL 125R

SYM. NO.	PART NO.	NO.	DESCRIPTION	AMT. REQ.
CYLINDER				
1	5728	6001	Cylinder	1
*2	4039	6602	Cylinder Nylon Plug	5
3	42	6003	Piston	1
*4	5700	6604	Automatic Valve	1
5	5704	6005	Valve Chest	1
6	5705	6006	Valve Chest Seat	1
7	5702	6007	Valve Guide Stem	1
*8	5701	6608	Valve Chest Dowel	1
*9	5706	6612	Valve Part O-Ring	1
FRONT HEAD (Item 10-C thru 11 before S/M:58000)				
10-C	BM-5671	6049-A	Front Head 1½" Hex. Complete	1
10	BM-5715	6046-A	Front Head with 1400 Bushing	1
*11	1400	6644-A	Front Head Bushing 1½" Hex.	1
10-C	BM-5616	6049-B	Front Head 1¼" Hex. Complete	1
10	BM-5716	6046-B	Front Head with 1401 Bushing	1
*11	1401	6644-B	Front Head Bushing 1¼" Hex.	1
FRONT HEAD (Item 10-C thru 11 after S/M:58000)				
10-C	BM-18782		Front Head 1½" Hex. Complete	1
10	BM-18783		Front Head with 18778 Bushing	1
*11	18778	4644-A	Front Head Bushing 1½" Hex.	1
10-C	BM-18784		Front Head 1¼" Hex. Complete	1
10	BM-18785		Front Head with 18781 Bushing	1
*11	18781	4644-B	Front Head Bushing 1¼" Hex.	1
*12	1288	6634	Retainer Spring	1
*13	1287	6633	Retainer Plunger	1
*14	1136	6628	Retainer	1
*15	1132	6629	Retainer Bolt	1
*16	3997	6631	Retainer Bolt Lock Washer	1
*17	954	6630	Retainer Bolt Nut	1
*18	5719	6632-A	Retainer Bolt Bushing Standard	2
	1131	6632-B	Retainer Bolt Bushing	(2)
HANDLE				
20-C	5722	6011-C	Back Head Complete	1
*21	1294	6615	Throttle Lever Bushing	1
*22	1296	6617	Throttle Lever	1
*23	1292	6618	Throttle Pin	1
*24	591	6645	Oil Control Filter	1
*25	731	6620	Oil Control Plug	1
26	1293	6019	Oil Plug	1
*27	3019	6613	Grip	2
ASSEMBLY PARTS				
*28	508	6038	Air Inlet Screen	1
*29	BM-1300	6035	Air Inlet Swivel Including 1639	1
30	5713	6050	O-Ring Inlet Swivel	1
*31	1295	6036	Air Inlet Swivel Including 1937	1
32	1937	6037	Air Inlet Nut O-Ring	1
*33	BM-1285	6614-A	Throttle Valve with O-Ring	1
*34	1291	6616	Throttle Valve Spring	1
*35	1298	6610	Plunger Spring (Back Head)	1
*36	1297	6609	Plunger (Back Head)	1

SYM. NO.	PART NO.	NO.	DESCRIPTION	AMT. REQ.
37-C	BM-1276	6023	Back Head Bolt Assembly Including 1125 & 1141	4
38	1274	6625	Back Head Bolt Nut	4
*39	1141	6624	Back Head Lock Washer	4
40	5709	6026	Tappet Seat	1
41	68	6027	Tappet	1
42	BM-5708	6039	Front Head Bolt Including 1129	2
*43	1129	6640	Front Head Bolt Nut	2
*44	1290	6642	Front Head Bolt Spring	2
45	1289	6641	Front Head Bolt Lock Washer	2
ACCESSORY				
50	5646	6022	Spike Driver Head	1
51	5647	6643	Dolly	1
46	BM-188	6052	Muffler (125R)	1

* DEPICTS INTERCHANGEABLE PARTS with 123R & 125R



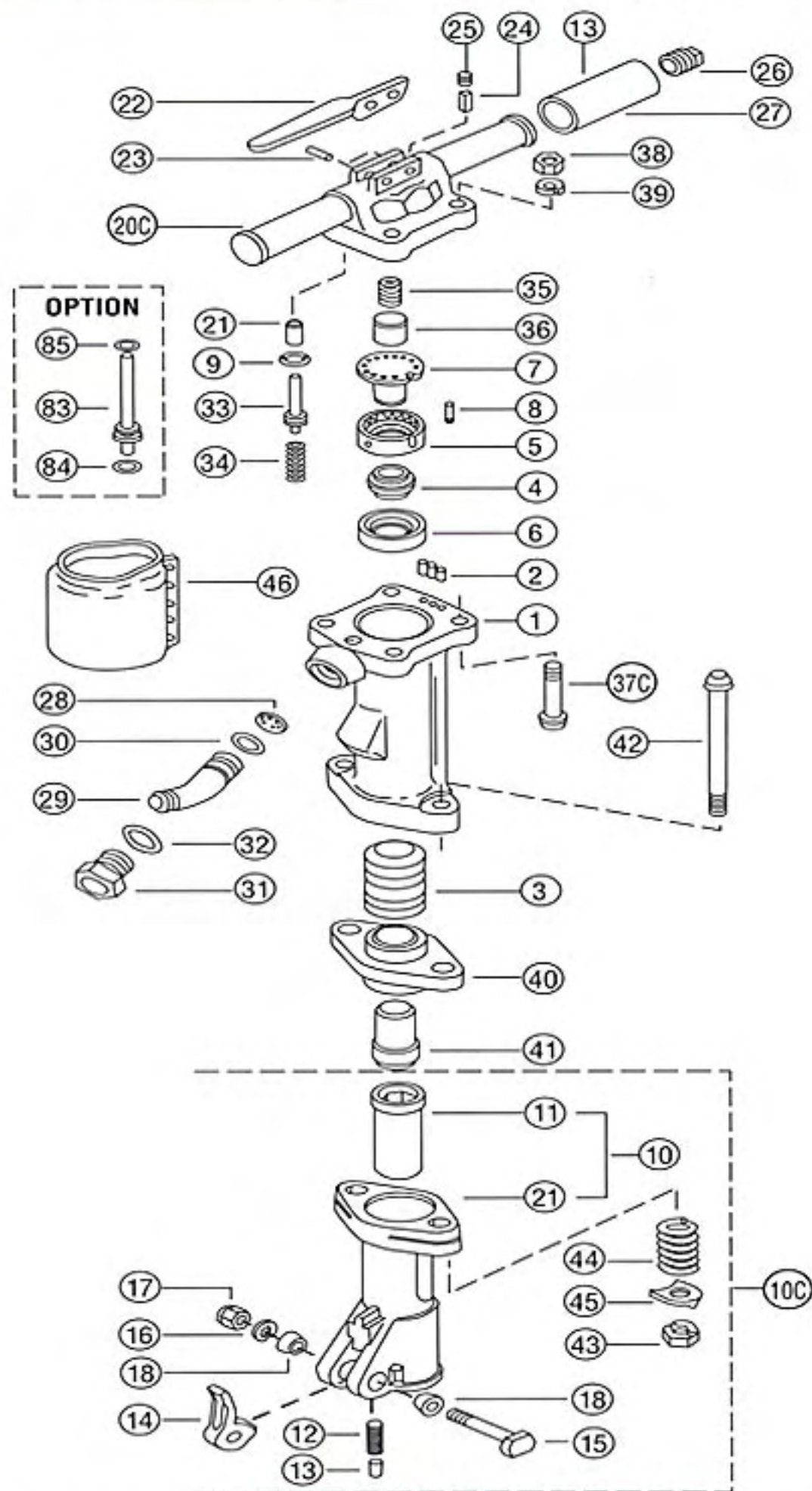
KENT AIR TOOLS

PAVING BREAKER MODEL 123R

SYM. NO.	PART NO.	NO.	DESCRIPTION	AMT. REQ.
CYLINDER				
1	4036	6601	Cylinder	1
*2	4039	6602	Cylinder Nylon Plug	3
3	43	6603	Piston	1
*4	5700	6604	Automatic Valve	1
5	5806	6605	Valve Chest	1
6	5805	6606	Valve Chest Seat	1
7	5804	6607	Valve Guide Stem	1
8	5701	6608	Valve Chest Dowel	1
9	5706	6612	Valve Part O-Ring	1
FRONT HEAD (Item 10-C thru 11 before S/M:57110)				
10-C	BM-4038	6649-A	Front Head 1 1/8" Hex. Complete	1
10	BM-2020	6646-A	Front Head with 1400 Bushing	1
*11	1400	6644-A	Front Head Bushing 1 1/8" Hex.	1
10-C	BM-4037	6649-B	Front Head 1 1/4" Hex. Complete	1
10	BM-2023	6646-B	Front Head with 1401 Bushing	1
*11	1401	6644-B	Front Head Bushing 1 1/4" Hex.	1
FRONT HEAD (Item 10-C thru 11 after S/M:57110)				
10-C	BM-18776		Front Head 1 1/8" Hex. Complete	1
10	BM-18777		Front Head with 18778 Bushing	1
*11	18778	4644-A	Front Head Bushing 1 1/8" Hex.	1
10-C	BM-18779		Front Head 1 1/4" Hex. Complete	1
10	BM-18780		Front Head with 18781 Bushing	1
*11	18781	4644-B	Front Head Bushing 1 1/4" Hex.	1
*12	1288	6634	Retainer Spring	1
*13	1287	6633	Retainer Plunger	1
*14	1136	6628	Retainer	1
*15	1132	6629	Retainer Bolt	1
*16	3997	6631	Retainer Bolt Lock Washer	1
*17	954	6630	Retainer Bolt Nut	1
*18	5719	6632-A	Retainer Bolt Bushing Standard	2
	1131	6632-B	Retainer Bolt Bushing	(2)
HANDLE				
20-C	4035	6611-C	Back Head Complete	1
*21	1294	6615	Throttle Lever Bushing	1
*22	1296	6617	Throttle Lever	1
*23	1292	6618	Throttle Pin	1
*24	591	6645	Oil Control Filter	1
*25	731	6620	Oil Control Plug	1
26	2027	6619	Oil Plug	1
*27	3019	6613	Grip	2
ASSEMBLY PARTS				
*28	508	6038	Air Inlet Screen	1
*29	BM-1300	6035	Air Inlet Swivel Including 1639	1
30	1639	6050	O-Ring Inlet Swivel	1
*31	1295	6036	Air Inlet Swivel Including 1937	1
32	1937	6037	Air Inlet Nut O-Ring	1
*33	BM-1285	6614-A	Throttle Valve with O-Ring	1
*34	1291	6616	Throttle Valve Spring	1
*35	1298	6610	Plunger Spring (Back Head)	1
*36	1297	6609	Plunger (Back Head)	1

SYM. NO.	PART NO.	NO.	DESCRIPTION	AMT. REQ.
37-C	BM-1126	6623	Back Head Bolt Assembly Including 1125 & 1141	4
38	1125	6625	Back Head Bolt Nut	4
*39	1141	6624	Back Head Lock Washer	4
40	2021	6626	Tappet Seat	1
41	61	6627	Tappet	1
42	BM-1128	6639	Front Head Bolt Including 1129	2
*43	1129	6640	Front Head Bolt Nut	2
*44	1290	6642	Front Head Bolt Spring	2
45	1289	6641	Front Head Bolt Lock Washer	2
46	BM-189	6682	Muffler (123R)	(1)

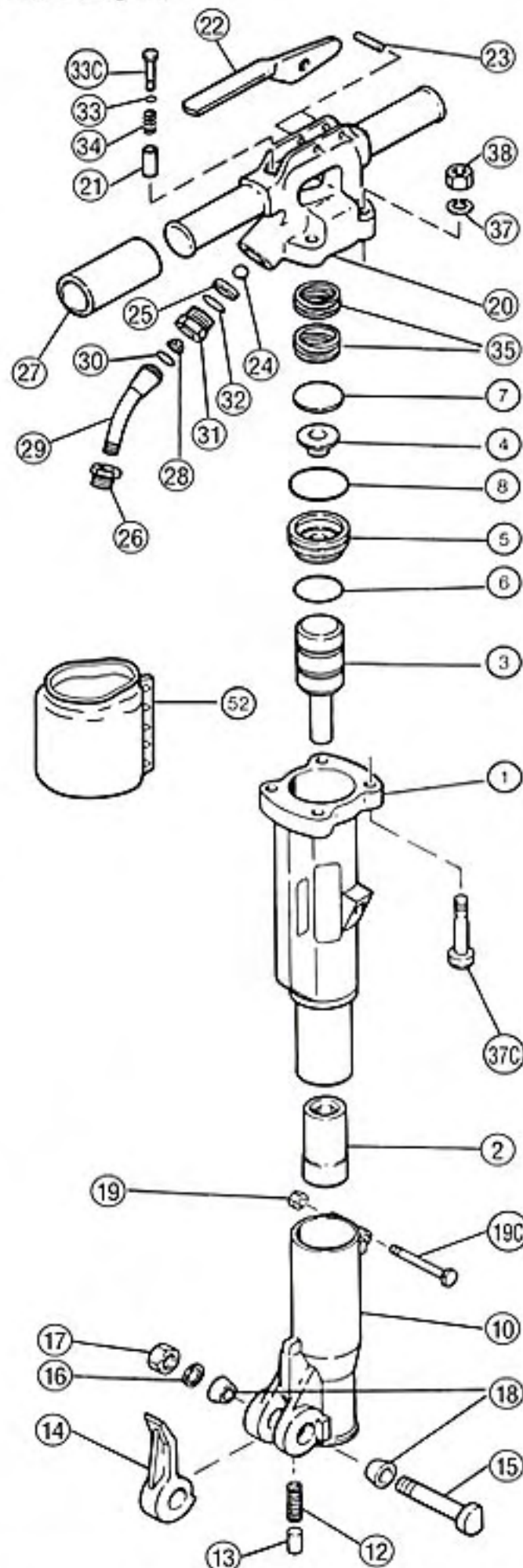
* DEPICTS INTERCHANGEABLE PARTS with 123R & 125R



SYM. NO.	PART NO.	NO.	DESCRIPTION	AMT. REQ.
1	4075	6401	Cylinder	1
2	4091	6444	Cylinder Bushing 1" Hex. x 4 1/4"	1
3	4076	6403	Piston Hammer	1
4	4077	6404	Automatic Valve	1
5	4078	6405	Valve Chest	1
6	4079	6406	Valve Chest O-Ring Lower	1
7	4080	6407	Valve Cover	1
8	4081	6408	Valve Chest O-Ring Upper	1
10-C	6421		Front Head Assembly	1
10	4990	6421	Front Head	1
**12	1288	6634	Steel Retainer Spring	1
**13	1287	6633	Steel Retainer Plunger	1
**14	1136	6628	Steel Retainer	1
**15	1132	6629	Steel Retainer Bolt	1
**16	3997	6631	Retainer Bolt Lock Washer	1
**17	694	6630	Retainer Bolt Nut	1
**18	5719	6632-A	Retainer Bolt Bushing	2
**	1131	6632B	Retainer Bolt Bushing - Steel, Option	(2)
*19-C	BM6131	6339	Front Head Bolt	1
*19	694	6340	Front Head Bolt Nut	1
20-C	4084		Back Head Assembly	1
20	4083	6410	Back Head Including 4086	1
21	4086	6411	Throttle Valve Stem Bushing	1
*22	1296	6617	Throttle Lever	1
*23	1292	6618	Throttle Lever Pin	2
24	4092	6448	Throttle Valve Ball	1
25	4088	6447	Air Inlet Swivel Seat	1
26	4089	6449	1/2" to 3/4" NPT Adapter	1
*27	3019	6613	Handle Grip	2
28	2846	6438	Air Inlet Screen	1
29	5802	6435	Air Inlet Inlet Swivel - 1/2" NPT	1
30	1551	6446	Air Inlet Swivel O-Ring	1
31	5803	6436	Air Inlet Swivel Nut	1
32	5807	6437	Air Inlet Swivel Nut O-Ring	1
33-C	4085	6414	Throttle Valve Stem with 4093	1
33	4093	6412	Throttle Valve Stem O-Ring	1
34	4087	6416	Throttle Valve Spring	1
35	4082	6410	Back Head Spring	2
*37-C	BM6129	6323	Back Head Bolt	4
*37	1146	6324	Back Head Bolt Lock Washer	4
*38	694	6325	Back Head Bolt Nut	4

* DEPICTS INTERCHANGEABLE PARTS with 17R

** DEPICTS INTERCHANGEABLE PARTS with 123R & 125R



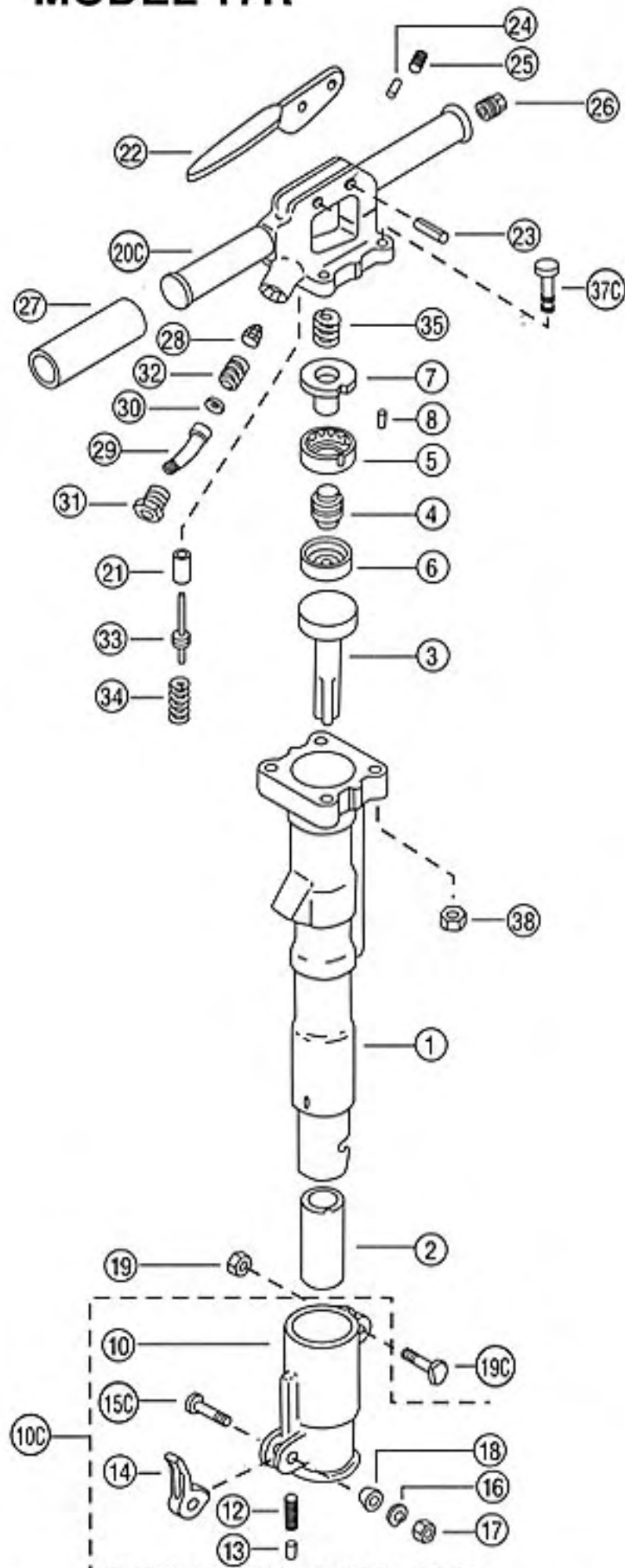
KENT AIR TOOLS

PAVING BREAKER MODEL 17R

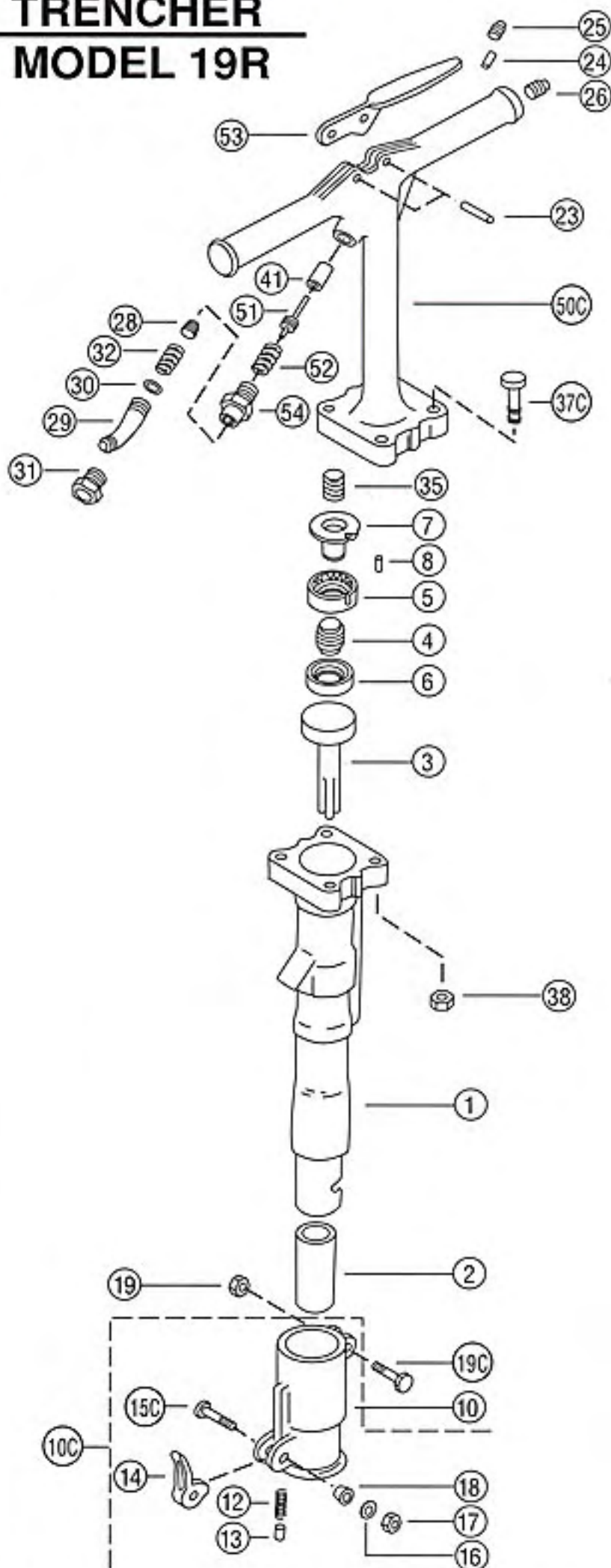
SYM. NO.	PART NO.	NO.	DESCRIPTION	AMT. REQ.
CYLINDER				
1	6145	6301	Cylinder	1
2	1280	6344-B	Chuck 3/8" Hex. 3 1/4"	1
	1282	6344-A	Chuck 1" Hex. 4 1/4"	1
3	21	6303	Piston	1
4	6102	6304	Automatic Valve	1
5	6107	6305	Valve Chest	1
6	6108	6306	Valve Chest Seat	1
7	6103	6307	Valve Guide Plate	1
8	6105	6308	Valve Chest Dowel	1
RETAINER				
10-C	6146	6349	Front Head Complete	1
10	1283	6321	Front Head Bare	1
12	2033	6334	Retainer Spring	1
13	2034	6333	Retainer Plunger	1
14	1137	6328	Retainer	1
15-C	1139	6329	Retainer Bolt with 1140, 1141	1
16	1141	6331	Retainer Bolt Washer	1
17	1140	6330	Retainer Bolt Nut	1
18	1142	6332	Retainer Bolt Bushing	1
19-C	6131	6339	Front Head Bolt with 6132	1
19	6132	6340	Front Head Bolt Nut	1
HANDLE BREAKER				
20-C	6142	6391-C	Paving Breaker Handle	1
21	1203	6615	Valve Bushing	1
*22	1296	6617	Throttle Lever	1
*23	1292	6618	Pivot & Stop Pin	2
*24	1284	6645	Oil Felt	1
*25	1286	6620	Oil Felt Plug	1
**26	1293	6319	Oil Plug	1
*27	1299	6613	Rubber Grip	2
28	2043	6338	Screen	1
29	6116	6335	Air Swivel	1
30	6121	6350	Air Swivel O-Ring	1
31	6113	6336	Air Swivel Nut	1
32	6114	6347	Air Swivel Spring	1
*33	1285	6614	Throttle Valve	1
34	6123	6316	Throttle Spring	1
35	6104	6310	Back Head Spring	1
37-C	6129	6323	Handle Bolt with 6130	4
38	6130	6325	Handle Bolt Nut	4
	BM191	6382	MF2 Neoprene Muffler Assembly	4

* DEPICTS INTERCHANGEABLE PARTS with 123R & 125R

** DEPICTS INTERCHANGEABLE PARTS with 125R ONLY



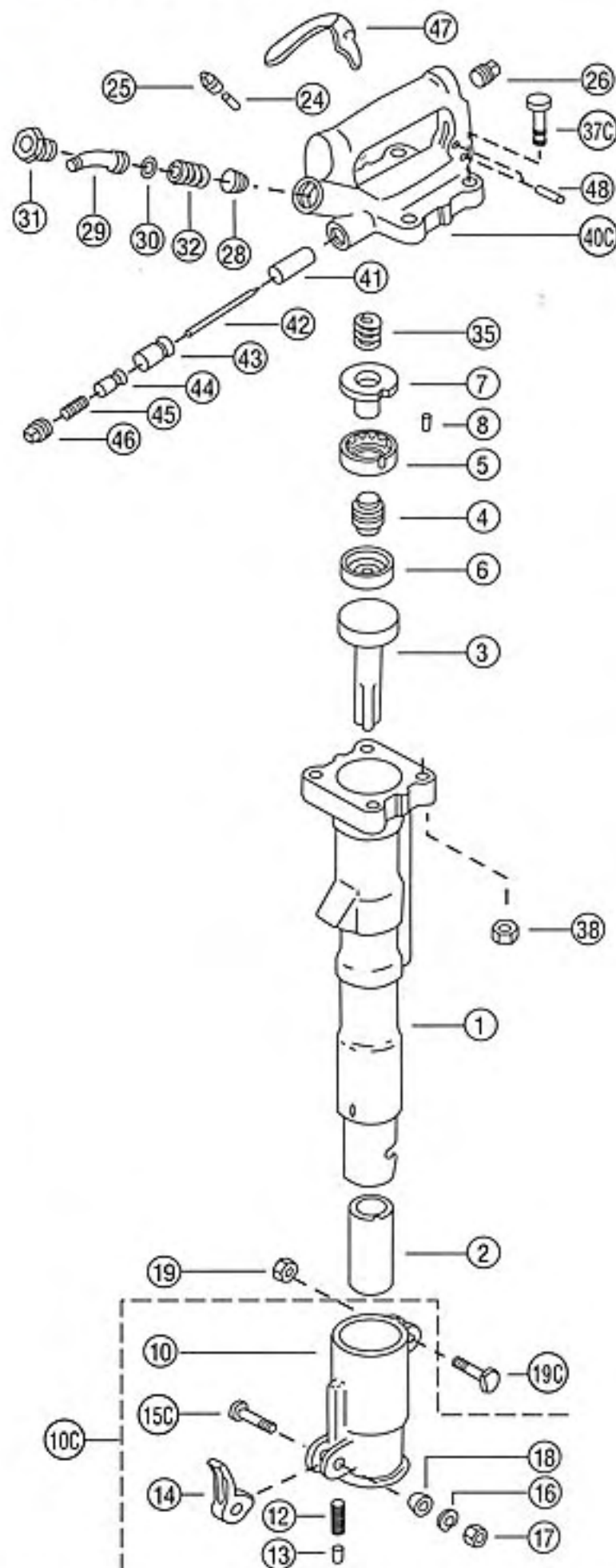
SYM. NO.	PART NO.	NO.	DESCRIPTION	AMT. REQ.
CYLINDER				
1	6145	6301	Cylinder	1
2	1280	6344-B	Chuck 7/8" Hex. 3 1/4"	1
	1282	6344-A	Chuck 1" Hex. 4 1/4"	1
3	21	6303	Piston	1
4	6102	6304	Automatic Valve	1
5	6107	6305	Valve Chest	1
6	6108	6306	Valve Chest Seat	1
7	6103	6307	Valve Guide Plate	1
8	6105	6308	Valve Chest Dowel	1
RETAINER				
10-C	6146	6349	Front Head Complete	1
10	1283	6321	Front Head Bare	1
12	2033	6334	Retainer Spring	1
13	2034	6333	Retainer Plunger	1
14	1137	6328	Retainer	1
15-C	1139	6329	Retainer Bolt with 1140, 1141	1
16	1141	6331	Retainer Bolt Washer	1
17	1140	6330	Retainer Bolt Nut	1
18	1142	6332	Retainer Bolt Bushing	1
19-C	6131	6339	Front Head Bolt with 6132	1
19	6132	6340	Front Head Bolt Nut	1
TRENCHER HANDLE				
23	1292	6618	Pivot & Stop Pin	1
24	1284	6645	Oil Felt	2
25	1286	6620	Oil Felt Plug	1
26	1293	6319	Oil Plug	1
28	2043	6338	Screen	1
29	6116	6335	Air Swivel	1
30	6121	6350	Air Swivel O-Ring	1
31	6113	6336	Nut	1
32	6114	6347	Air Swivel Spring	1
35	6104	6310	Back Head Spring	1
37-C	6129	6323	Handle Bolt	4
38	6130	6325	Handle Bolt Nut	4
41	2040	6360	Push Pin Bushing	1
50-C	6143	6393-C	Trench Digger Handle	1
51	6125	6361	Throttle Valve	1
52	6127	6363	Throttle Spring	1
53	6128	6365	Throttle Lever	1
54	6112	6364	Air Swivel Spud	1
			Air Inlet Bushing (Sub for 6112)	1
			Also includes Item 23-26 & 28-32	1
	BM191	6382	MF2 Neoprene Muffler Assembly	1



KENT AIR TOOLS

CLAY DIGGER MODEL 18R

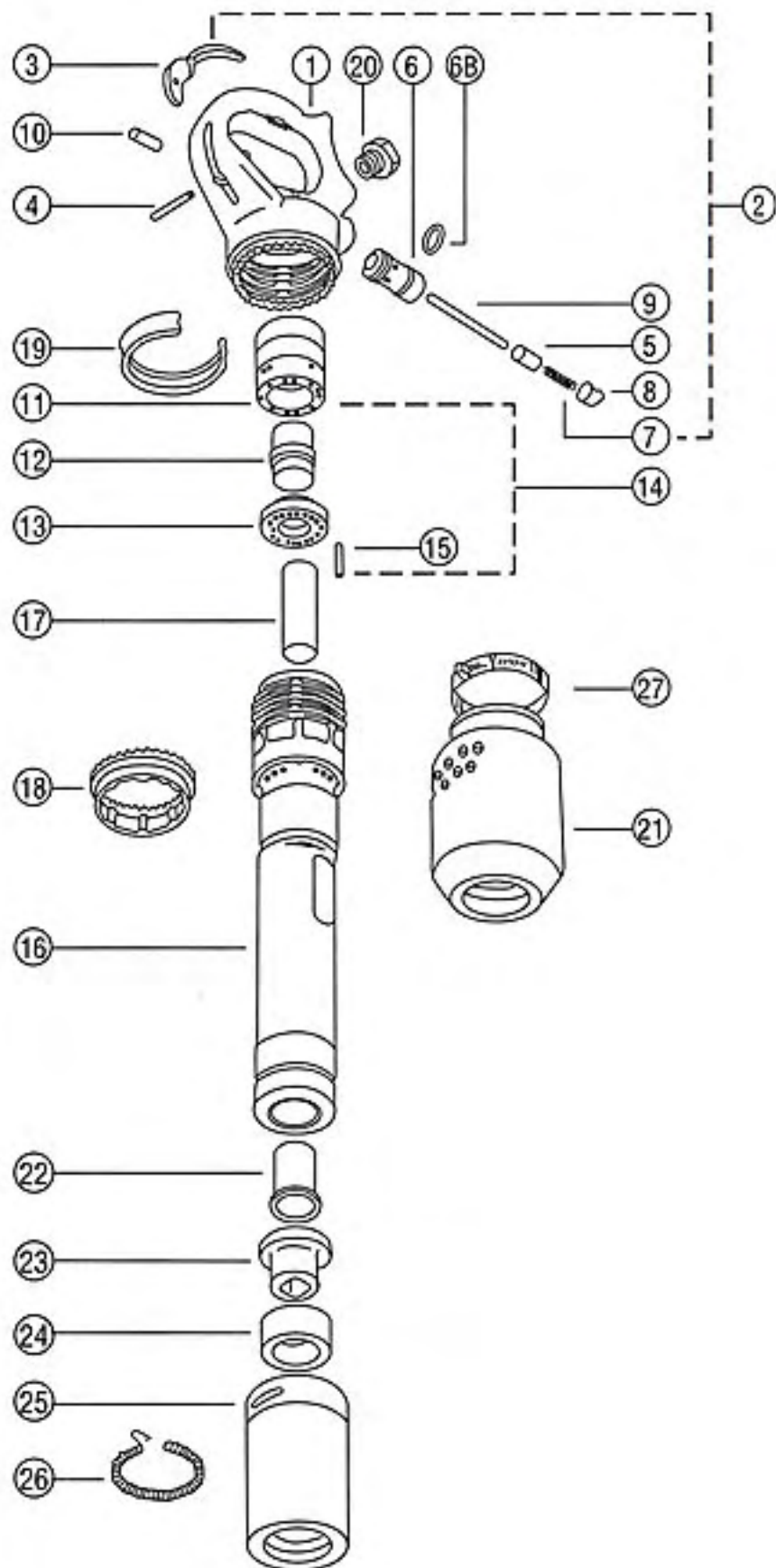
SYM. NO.	PART NO.	NO.	DESCRIPTION	AMT. REQ.
CYLINDER				
1	6145	6301	Cylinder	1
2	1280	6344-B	Chuck 7/8" Hex. 3 1/4"	1
	1282	6344-A	Chuck 1" Hex. 4 1/4"	1
3	21	6303	Piston	1
4	6102	6304	Automatic Valve	1
5	6107	6305	Valve Chest	1
6	6108	6306	Valve Chest Seat	1
7	6103	6307	Valve Guide Plate	1
8	6105	6308	Valve Chest Dowel	1
RETAINER				
10-C	6146	6349	Front Head Complete	1
10	1283	6321	Front Head Bare	1
12	2033	6334	Retainer Spring	1
13	2034	6333	Retainer Plunger	1
14	1137	6328	Retainer	1
15-C	1139	6329	Retainer Bolt with 1140, 1141	1
16	1141	6331	Retainer Bolt Washer	1
17	1140	6330	Retainer Bolt Nut	1
18	1142	6332	Retainer Bolt Bushing	1
19-C	6131	6339	Front Head Bolt with 6132	1
19	6132	6340	Front Head Bolt Nut	1
HANDLE CLAY SPADE				
24	1284	6645	Oil Felt	1
25	1286	6620	Oil Felt Plug	1
26	1293	6319	Oil Plug	1
28	2043	6338	Screen	1
29	6116	6335	Air Swivel	1
30	6121	6350	Air Swivel O-Ring	1
31	6113	6336	Nut	1
32	6114	6347	Air Inlet Spring	1
35	6104	6310	Back Head Spring	1
37-C	6129	6323	Handle Bolt with 6130	4
38	6130	6325	Handle Bolt Nut	4
40-C	6140	6393-C	Spade Handle	1
41	6125	6360	Push Pin Bushing	1
42	6127	6357	Push Pin	1
43	6128	6351	Throttle Bushing	1
44	6112	6352	Throttle Valve	1
45	6125	6353	Throttle Spring	1
46	6127	6354	Valve Cap (Oil Plug Sub)	1
47	6128	6355	Trigger	1
48	6112	6356	Pivot & Stop Pin	2
	BM191	6382	Also includes Item 23-26 & 28-32 MF2 Neoprene Muffler Assembly	1



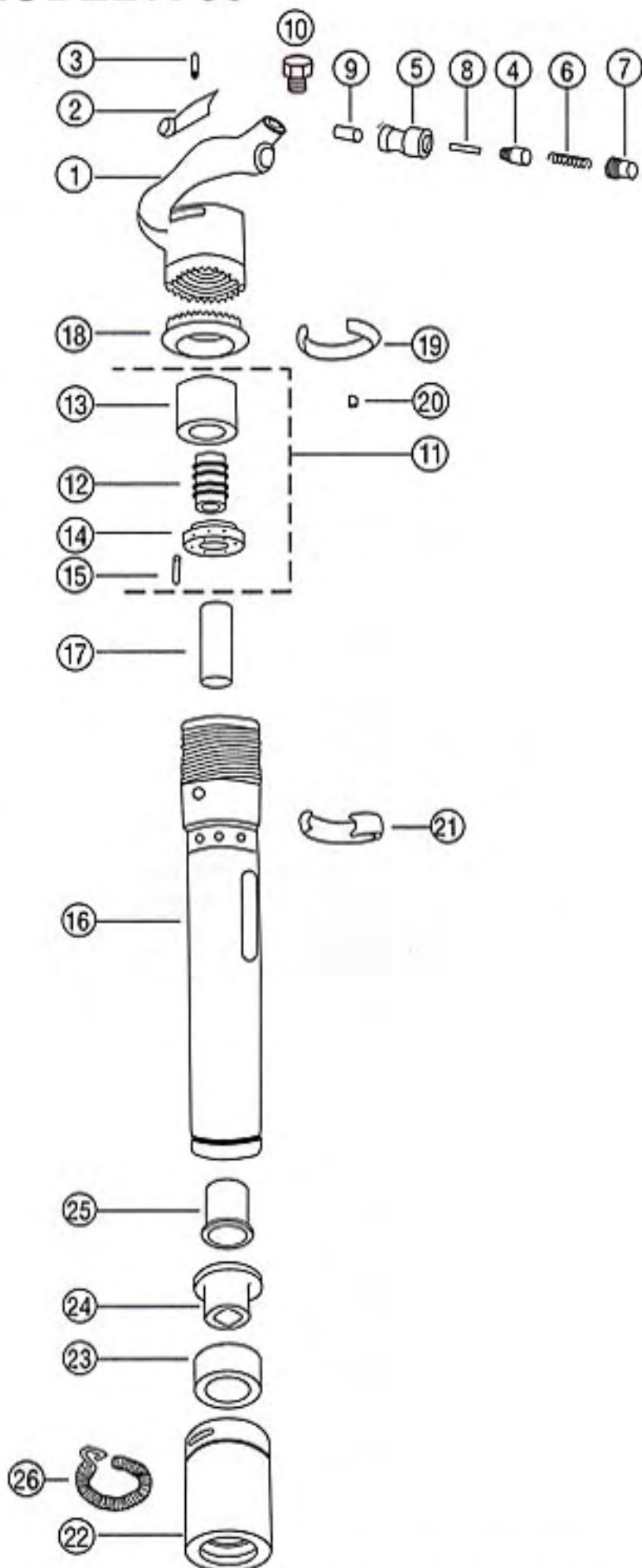
KENT AIR TOOLS

RIVET BUSTER MODEL K800, K1100

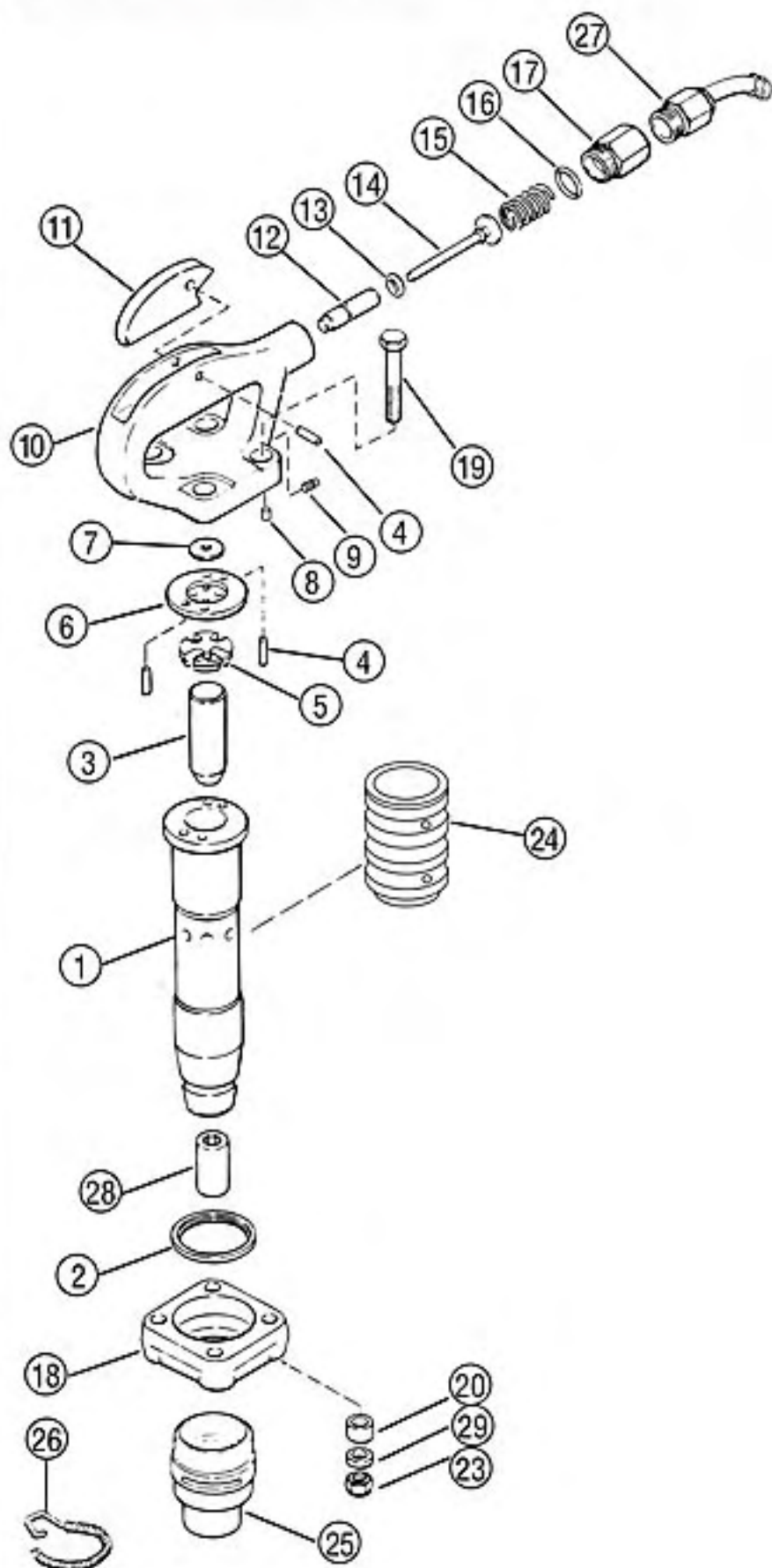
SYM. NO.	PART NO.	NO.	DESCRIPTION	AMT. REQ.
1	K14403	8261	Handle Bare	1
2	K14404	8262	Handle Complete	1
3	K14405	8263	Throttle Lever	1
4	K14406	8264	Throttle Lever Pin	1
5	K14407	8265	Throttle Valve	1
6	K14408	8266	Throttle Valve Bushing	1
6B	K14409	8266-B	O-Ring	1
7	K14410	8267	Throttle Valve Spring	1
8	K14411	8268	Throttle Valve Plug	1
9	K14412	8269	Push Pin	1
10	K14413	8270	Push Pin Bushing	1
11	K14414	8271	Valve Box	1
12	K14415	8272	Valve	1
13	K14416	8273	Valve Cover Front	1
14	K14417	8274	Valve Assembly	1
15	K14418	8275	Valve Dowel Pin	1
16	K14419	8276	Barrel (K800)	1
NS	K14420	8376	Barrel (K1100)	(1)
17	K14421	8277	Piston 3"	1
NS	K14422	8377	Piston 4"	1
18	K14423	8278	Handle Lock Ring	1
19	K14424	8279	Handle Lock Spring	1
20	K14425	8280	Handle Bushing	1
21	K14426	8281	Muffler	1
22	K14001	9625	Upper Sleeve Bushing	1
23	K14029	9624-B	Lower Sleeve Bushing	1
24	K14030	9623-B	Retainer Bumper	1
25	K14031	9621-B	Retainer	1
26	K14032	9622	Retainer Spring	1
27	K14427	8282	Muffler Clamp	1
NS	K14428	9635	Swivel	1



SYM. NO.	PART NO.	NO.	DESCRIPTION	AMT. REQ.
1	K14006	6761	Handle Bare	1
	K14005		Handle with Bushing	(1)
2	K14009	6763	Trigger Lever	1
3	K14010	6764	Lever Pin	1
4	K14011	6765	Throttle Valve	1
5	K14007	6766	Throttle Valve Bushing	1
6	K14012	6767	Throttle Valve Spring	1
7	K14013	6768	Throttle Valve Cap	1
8	K14014	6769	Push Rod	1
9	K14008	6770	Push Rod Sleeve	1
10	K14015	8280	Screw Bushing	1
11	K14016		Hose Stem	1
12	K14018	6773	Valve	1
13	K14019	6774	Valve Box	1
	K14017	6771	Valve Assembly Including #12, 13, 14 & 15	
	K14028		Poly Plug, 3/8"	
14	K14020	6775	Valve Seat	1
15	K14021	6772	Valve Knock	1
16	K14022	6776	Cylinder	1
17	K14023	6777	Piston, 3"	1
18	K14024	6778	Clutch	1
19	K14025	6779	Clutch Band	1
20	K14026	6780	Clutch Key	1
21	K14027	6781	Exhaust Band	1
22	K14031	9621-B	Retainer Cap	1
23	K14030	9623-B	Bumper	1
24	K14029	9624-B	Lower Sleeve	1
25	K14001	9625	Upper Sleeve	1
26	K14004	9622	Spring	1



SYM. NO.	PART NO.	NO.	DESCRIPTION	AMT. REQ.
1	K04193	6701-2	Cylinder (Barrel) 2" Stroke	1
	K04194	6701-3	Cylinder (Barrel) 3" Stroke	1
	K04195	6701-4	Cylinder (Barrel) 4" Stroke	1
2	K04196	6252	Flange Bumper Ring	1
3	K04273	6253-2	Piston #2 Barrel	1
	K04274	6253-3	Piston #3 Barrel	1
	K04275	6253-4	Piston #4 Barrel	1
4	K04197	6704	Pin	2
5	K04198	6255	Bumper Valve Seat	1
6	K04199	6706	Valve Spacer	1
7	K04229	6707	Valve Plate	1
8	K04230	6708	Air Plug	1
9	K04231	6709	Air Plug	1
NS	K04232	6710-C	Handle Complete	(1)
10	K04235	6710	Handle Bare Including Bushing	1
11	K04236	6703	Trigger (Lever)	1
12	K04237	6712	Throttle Valve Bushing	1
13	K04238	6713	Throttle Valve O-Ring	1
14	K04239	6714	Throttle Valve (One Piece)	1
NS	K04240	6714-C	Throttle Valve Including K04238	1
15	K04241	6715	Throttle Valve Spring	1
16	K04242	6716	Air Inlet Bushing O-Ring	1
17	K04246	6717	Air Inlet 7/8" x 24 (Standard)	1
18	K04243	6718	Flange	1
19	K04244	6719	Handle Bolt	4
NS	K04215		Handle Bolt with Washer	4
20	K04247	6720	Metric Lock Washer	4
NS	KBM04203		Handle Bolt Assembly (Including 19, 20)	4
23	K04248	6723	Handle Bolt Nut (Nylon)	4
24	K04249	6261	Exhaust Deflector (Rubber)	1
25	K04173	9101	Retainer Oval Collar	1
26	K02428	9105	Retainer Spring (HVD Steel)	1
27	K02450	9135	Swivel 7/8" x 24 (Standard)	1
28	K04170	6144-H	Steel Bushing Hex. .580	1
29	K04245	6722	Bumper Washer	4
NS	K04165	6144-R	Steel Bushing Round .680	1
NS	K04188	9104	Ball Type Retainer	(1)



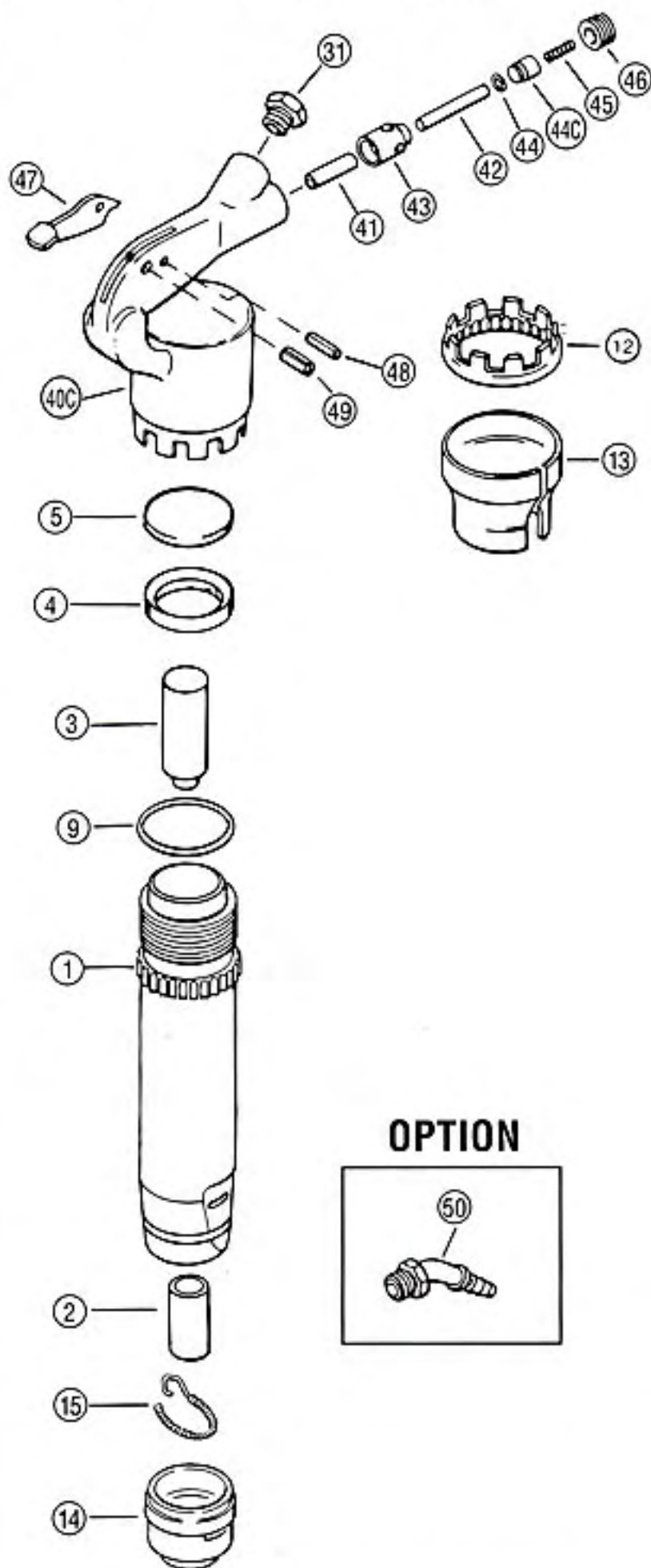
KENT AIR TOOLS

CHIPPING HAMMER MODEL KJR-1-2-3-4

SYM. NO.	PART NO.	NO.	DESCRIPTION	AMT. REQ.
CYLINDER				
1	4181	6148-1	Barrel - Model 1	1
	4182	6148-2	Barrel - Model 2	1
	4183	6148-3	Barrel - Model 3	1
	4184	6148-4	Barrel - Model 4	1
*2	4165	6144-R	Bushing for .680 Round Shank (Sub 2419)	1
	4170	6144-H	Bushing for .580 Hex. Shank (Sub 2418)	1
3	4174	6103-1	Piston Hammer - Model 1	1
	4175	6103-2	Piston Hammer - Model 2	1
	4176	6103-3	Piston Hammer - Model 3	1
	4177	6103-4	Piston Hammer - Model 4	1
4	4186	6147	Ring Valve	1
5	4185	6146	Valve Seat	1
9	4179	6102	Barrel O-Ring	1
12	4171	6123	Handle Lock Ring	1
13	4172	6122	Exhaust Deflector	1
14	4173	9101	Chisel Retainer for Oval Collar (Standard) Models 2, 3, 4	1
*15	2428	9105	Retainer Lock Spring	1
*31	2405	6136	Handle Bushing	1
40-C	4180	6111-C	Handle Assembly	1
41	4159	6110	Push Pin Bushing	1
42	4158	6109	Push Pin	1
43	4155	6115	Throttle Valve Bushing	1
44-C	4153	6114	Throttle Valve Including 4154	1
44	4154	6113	Throttle Valve O-Ring	1
45	4156	6116	Throttle Valve Spring	1
46	4157	6119	Throttle Valve Plug	1
47	4150	6117	Trigger	1
48	4151	6118-A	Trigger Stop Pin	1
49	4152	6118-B	Trigger Fulcrum Pin	1
50	2460	9135	Air Inlet Swivel Assembly 3/8" -24 Thread, 1/2" Hose Barb	(1)
	**	9135-S	Air Inlet Swivel Assembly 3/8" NPT, 1/2" Hose Barb	(1)

* DEPICTS INTERCHANGEABLE PARTS with KC15

** DEPICTS INTERCHANGEABLE PARTS with 16R



OPTION



SYM. NO.	PART NO.	NO.	DESCRIPTION	AMT. REQ.
1	KBM2302	6500	Throttle Body Complete	1
		6500-A	Throttle Body Complete (New)	1
1A	K02302	6501	Throttle Body Bare	1
	K04270	6501-A	Throttle Body Bare (New)	1
2	K00603	6502	Throttle Valve Bushing	1
3	K00604	6503	Throttle Valve Latch	1
4	K00605	6504	Throttle Valve Fulcrum Pin	1
5	K09648	6505	Throttle Latch Lock Clip	1
6	K00607	6506	Throttle Valve (incl. K04283)	1
6A	K04294	6513	Push Pin (incl. K04283) (New)	1
7	K04283	6507	Throttle Valve O-Ring	1
8	K00608	6508	Throttle Valve Spring	1
8A	K04284	6272	Throttle Valve Spring (New)	1
9	K00609	6509	Throttle Valve Plug	1
9A	K04285	6509-A	Throttle Valve Plug (New)	1
10	K04290	6510	Throttle Valve Plug O-Ring	1
11	K04292	6511	Oil Retainer End Cap	1
12	K04410	6512	Connecting Pipe	1
13	K04277	6271	Throttle Ball (New)	1
14	K04258	6514	Connecting Pipe Nut	1
15	K04259	6515	Oil Control Bushing	1
16	K04271	6516	Back Head	1
17	K04282	6517	Oil Plug	1
18	K01171	6518	Lower Valve Block O-Ring	1
22	K04268	6522	Upper Valve Block	1
23	K04261	6523	Center Plate	1
24	K04500	6524	Valve Disc	1
25	K04260	6525	Lower Valve Block	1
26	K04280	6526	Valve Dowel Pin	2
27	K04272	6527	Barrel	1
28	K04263	6528	Exhaust Deflector (Steel)	1
29	K04263	6528-R	Exhaust Deflector (Rubber)	1
30	K04266	6530	Plunger	1
31	KBM04265	6531	Upper Guide Bushing	1
32	K01114	6532	Guide Bushing O-Ring	2
33	K04287	6533	Plunger Packing Set	1
35	KBM04286	6535	Lower Guide Bushing	1
36	K04279	6536	Packing Nut Lock Clip	1
37	K04264	6537	Packing Nut	1
38	K04316	9538	6" Malleable Iron Butt	1
40	K04267	6540	Clamp Screw	1
41	K01642	9541	Pole Butt (Option)	(1)
42	K04267	6550	Air Inlet Elbow (Option)	(1)

